

RATIO C/C PAN, SEAT & CISTERN



ILLUSTRATION: RATIO C/C PAN

CODE: C/C WC PAN - POT501RA
 C/C CISTERN - POT504RA
 SOFT CLOSE SEAT - POT506RA

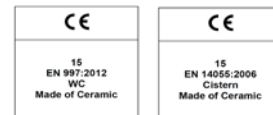
COLOUR: WHITE

WEIGHT:	WC PAN	CISTERN	SEAT
NET:	22 KG	11 KG	1.4 KG
GROSS:	23 KG	12 KG	1.6 KG

STANDARDS: BS EN 997 WCs

BS EN 14055:2010 FLUSHING CISTERNS

BS 3402



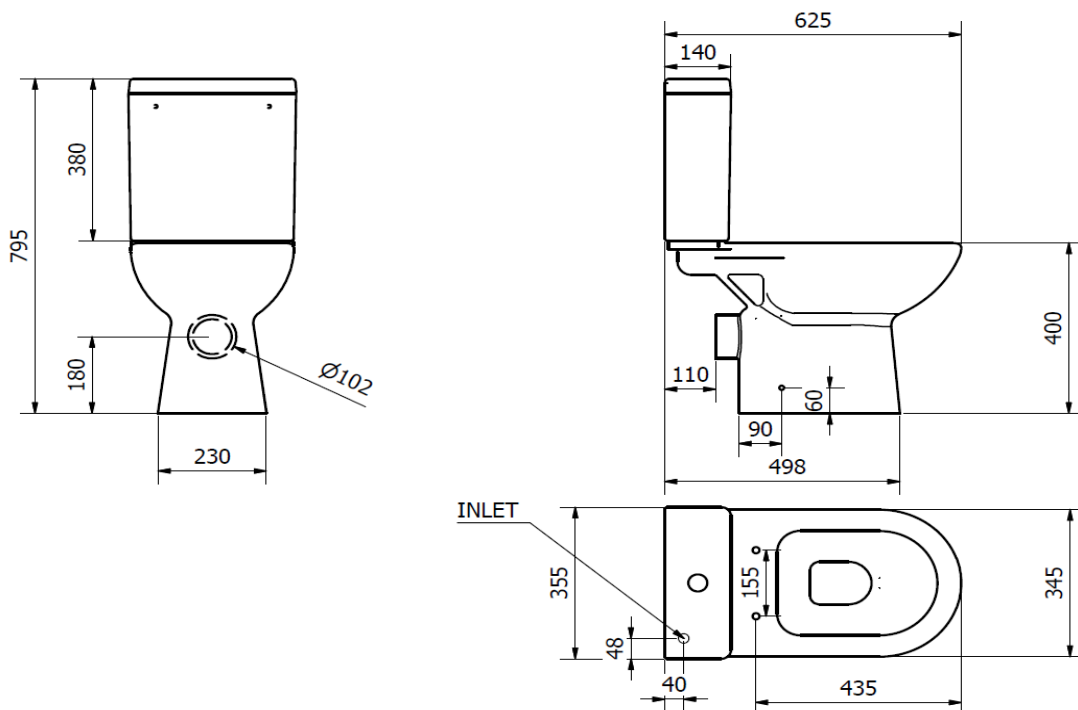
NOTES:

VITREOUS CHINA

SHORT PROJECTION

WATER SAVING 6/4 LITRE FLUSH

SOFT CLOSE SEAT WITH QUICK RELEASE TOP FIX HINGE



BOX SIZES :- WC PAN = 400 X 420 X 630 mm / CISTERN = 160 X 420 X 370 mm

RATIO CLOSE TO WALL C/C PAN, SEAT & CISTERN



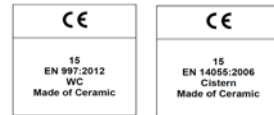
ILLUSTRATION: RATIO CLOSE TO WALL C/C PAN

CODE: C/C WC PAN - POT502RA
 C/C CISTERN - POT504RA
 SOFT CLOSE SEAT - POT506RA

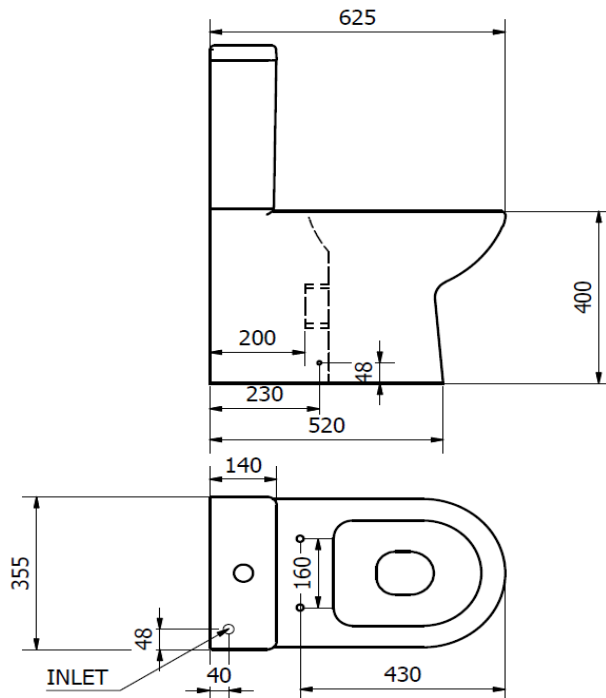
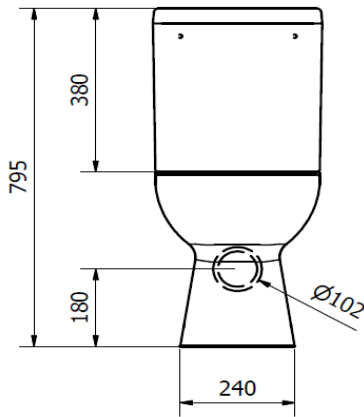
COLOUR: WHITE

WEIGHT:	WC PAN	CISTERN	SEAT
NET:	22 KG	11 KG	1.4 KG
GROSS:	23 KG	12 KG	1.6 KG

STANDARDS: BS EN 997 WCs
 BS EN 14055:2010 FLUSHING CISTERNS
 BS 3402



NOTES:
 VITREOUS CHINA
 SHORT PROJECTION
 WATER SAVING 6/4 LITRE FLUSH
 SOFT CLOSE SEAT WITH QUICK RELEASE TOP FIX HINGE



BOX SIZES :- WC PAN = 400 X 440 X 700 mm / CISTERN = 160 X 420 X 370 mm